

SL & SL-316 DUMP BODIES



www.duraiclass.com





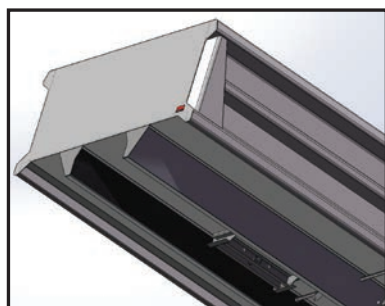
DuraClass design:

All premium DuraClass **SL & SL-316** dump bodies feature an innovative design incorporating maximum durability and useability. Note the fully enclosed front posts for added strength and superior resistance to corrosion. Rear corner posts are full depth, which helps keep body dimensions true and rigid. High tensile steel provides superior strength and lighter body weight than comparable dump bodies.

SL: Features an interlaced understructure to support the body floor on a grid of 8-gauge crossmembers laced to J-section longmembers. This design saves weight and adds floor support minimizing washboarding. SL design utilizes two vertical side braces with radius bends, slanted forward for a contemporary look.

SL-316: Keep your body looking its cleanest with DuraClass SL-316. Featuring a crossmemberless understructure, material and dirt resist build-up leaving a clean look and premium corrosion resistance. With a horizontal side brace and tailgate brace that reflects the clean radiused lines of the top rail, you will have a premium body that looks its best.

SL-316



Crossmemberless understructure.

SL & SL-316 STANDARD OPTIONS

- **SL:** 3/16" or 1/4" AR in lieu of 10 ga
- **SL-316:** 3/16" or 1/4" AR in lieu of 10 ga
- Cabshields:
 - 1/4 size, 1/4 size with window,
 - 1/2 size, 1/2 size with window and full size
 - Wind Deflector for Tarp Available for All Sizes
- Side Braces - Vertical; One Horizontal Side Brace; Two Horizontal Side Braces
- Standard Tailgate Brace Options
 - **SL:** Straight Tailgate Assembly with Vertical Braces
 - **SL-316:** Straight Tailgate Assembly with Horizontal Braces
- Straight or Sloped Tailgates
- 8", 10" or 12" Spill Apron
- Sloped Sides

ADDITIONAL BODY OPTIONS

- Elliptical Body Design
- Telescopic Hoist
- Aluminum (Cab Shields & Tailgates Only)
- Quick Release Upper Tailgate Pins
- Hi-Lift Tailgate, Air or Hydraulic
- Side Swing Tailgate (36" minimum)
- Body Side Steps and Handles
- Tarp Rails and Walk Rails
- Variety of Sliding Door Options
- Custom Side and Tailgate Heights
- Custom Body Bracing
- Air Operated Hoist Controls

PREMIUM STEEL CONSTRUCTION

All DuraClass carbon steel dump bodies have Hi-Tensile, minimum 45,000 psi steel. Additional steel and stainless steel options are available.



SL & SL-316 DUMP BODY SPECIFICATIONS				
Model Name	SL	SL	SL-316	SL-316
Inside Length	10'	10'	10'	10'
Width	7'	7'	7'	7'
Body Capacity, yards	5-6	6-8	5-7	6-8
Material	10 ga	10 ga	3/16" floor & rear, 10 ga sides and front	
Side/Front/Rear Height, inches	24/30/30	28/38/38	24/34/34	28/38/38
Hoist Model	1821	1821	1821 PL	1821 PL
Weight (Includes Hoist), lbs	3062	3206	3845	3970

All bodies shown with some optional equipment. Models and options are subject to change without notice.



P.O. Box 49
1425 Highway 25 North
Tishomingo, MS 38873
800.255.4345
Fax: 800.728.4345
www.duraiclass.com

CONTACT YOUR DISTRIBUTOR