



SNOWPLOWS



SNOWDOGG[®]
by **Buyers**

2014-2015

Our History



1946
Buyers Products Company founded by Sam Ruven and Bessie Kleinman as a distributor of driveline components.



Buyers continued to grow its product offerings and build valued relationships with customers and suppliers. Increased demand for products led to the pursuit of supply chain manufacturing solutions.



1988
Buyers acquired Viking Forge in Streetsboro, Ohio with 6 complete forge lines. This facility manufactures our hitches, D-rings, and other towing and cargo parts.



1992
Buyers acquired Trailer Components Manufacturing (Tracom) for CNC precision machining and tooling, as well as state-of-the-art welding.



1995
Buyers acquired Progressive Powder Coating. Our Nordson automatic powder application booth is used to powder coat our Buyers toolboxes and other truck and trailer accessories.



2002
Buyers moved its corporate headquarters to a brand new 235,000 sq. ft. state-of-the-art office and distribution center.



2004
Buyers acquired Romotech in New Paris, Indiana. Our Ferry Industries Rotospeed molding machines are used to manufacture our poly salt spreaders.



2007
Buyers began manufacturing the SnowDogg stainless steel snowplow at our Mentor, Ohio facility.



2009
Buyers began our operations at Boomerang Rubber, in Botkins, Ohio manufacturing mudflaps, wheel chocks and other rubber truck and trailer accessories.



2013
Buyers acquired an additional 500,000 sq. ft. manufacturing facility in Mentor, Ohio allowing for expansion of our aluminum and stainless steel manufacturing.



Our Corporate Family of Companies



Founded in 1946, Buyers Products is a fully integrated manufacturer and supplier of products for the mobile equipment industry. **Multiple manufacturing capabilities include forging, stamping, laser cutting, CNC machining, robotic welding, rotational molding, powder coating and assembly.**



Product lines include towing products, toolboxes, truck and trailer hardware, rubber and polymer products, dump body hardware, cables and control systems, hydraulics, pneumatics, driveline components, lights, mudflaps, snowplows, salt spreaders and snow & ice control products.



SKTE Series..... Page 5

MD Series.....Page 6-7

VMD SeriesPage 8-9

HD/EX SeriesPage 10-11

TE SeriesPage 12-13

VXF SeriesPage 14-15

XP Series..... Page 16-17

CM Series..... Page 18-19

NEW PRODUCTS

Product Specs..... Page 4

Skid-Steer Plow Page 5

+Central hydraulic lift frames now available for 2014/15, model series HD/EX, TE and CM.



SKTE Series

PRODUCT SPECS

MODEL	WIDTH	BLADE HEIGHT	MATERIAL	THICKNESS	ANGLE CYLINDERS	LIFT CYLINDER	KINGPIN SIZE	WIDTH AT ANGLE	RIBS	SPRINGS	TRIP STYLE	CUTTING EDGE	WEIGHT ¹	DEFLECTOR	SHOES
SKTE75	90"	31"	SS	.105"	1½" x 12"	N/A	1⅛"	78"	8	4	Edge	1/2" x 6"	781 lbs.	Std.	Cast
SKTE80	96"	31"	SS	.105"	1½" x 12"	N/A	1⅛"	83"	8	4	Edge	1/2" x 6"	848 lbs.	Std.	Cast
SKTE90	108"	31"	SS	.105"	1½" x 12"	N/A	1⅛"	94"	8	4	Edge	1/2" x 6"	888 lbs.	Std.	Cast
MD68	80"	24"	SS	.075"	1½" x 10"	1½" x 6"	1"	69.2"	6	2	Full	3/8" x 6"	380 lbs.	Std.	Cast
MD75	90"	24"	SS	.075"	1½" x 10"	1½" x 6"	1"	78"	8	2	Full	3/8" x 6"	400 lbs.	Std.	Cast
MD80	96"	24"	SS	.075"	1½" x 10"	1½" x 6"	1"	83"	10	2	Full	1/2" x 6"	439 lbs.	Std.	Cast
VMD75	90"	26"/33"	SS	.075"	1½" x 1¾ x 12"	1½" x 6"	1"	78"	6	4	Edge	3/8" x 6"	700 lbs.	Std.	Opt.
HD75	90"	29"	SS	.105"	1½" x 12"	2" x 6"	1⅛"	78"	9	4	Full	3/8" x 6"	680 lbs.	Std.	Cast
HD80	96"	29"	SS	.105"	1½" x 12"	2" x 6"	1⅛"	83"	9	4	Full	3/8" x 6"	700 lbs.	Std.	Cast
EX75	90"	31"	SS	.105"	1½" x 12"	2" x 6"	1⅛"	78"	9	4	Full	1/2" x 6"	745 lbs.	Std.	Cast
EX80	96"	31"	SS	.105"	1½" x 12"	2" x 6"	1⅛"	83"	9	4	Full	1/2" x 6"	765 lbs.	Std.	Cast
EX85	102"	31"	SS	.105"	1½" x 12"	2" x 6"	1⅛"	88.3"	9	4	Full	1/2" x 6"	785 lbs.	Std.	Cast
EX90	108"	31"	SS	.105"	1½" x 12"	2" x 6"	1⅛"	93.5"	9	4	Full	1/2" x 6"	805 lbs.	Std.	Cast
TE75	90"	31"	SS	.105"	1½" x 12"	2" x 6"	1⅛"	78"	8	4	Edge	1/2" x 6"	705 lbs.	Std.	Cast
TE80	96"	31"	SS	.105"	1½" x 12"	2" x 6"	1⅛"	83"	8	4	Edge	1/2" x 6"	772 lbs.	Std.	Cast
TE90	108"	31"	SS	.105"	1½" x 12"	2" x 6"	1⅛"	94"	8	4	Edge	1/2" x 6"	812 lbs.	Std.	Cast
VXF85	102"	29"/37"	SS	.105"	1½" x 1¾ x 12"	2" x 6"	1"	88"	8	4	Edge	1/2" x 6"	978 lbs.	Std.	Opt.
VXF95	114"	29"/37"	SS	.105"	1½" x 1¾ x 12"	2" x 6"	1"	99"	8	4	Edge	1/2" x 6"	998 lbs.	Std.	Opt.
XP810	96"-120"	29"	SS	.105"	1½" x 12"	2" x 6"	1⅛"	104"	9	4	Full	1/2" x 6"	1021 lbs.	Std.	Cast
CM100	120"	31"	SS	.105"	2" x 12"	2" x 6"	1⅛"	104"	10 ²	6	Full	5/8" x 6"	1084 lbs.	Std.	Cast

¹ Weight Not Including Truck Mount, 40-80lbs. Typical Weight; ² 2 Are Diagonal



SKTE Series Plows

Typical Application:
Skid-Steer equipment

STANDARD FEATURES

- Heavy-Duty, robust design
- Universal skid-steer mount
- Available in 7-1/2ft, 8ft and 9ft widths
- Works with existing skid-steer hydraulics
- Swiveling A-Frame follows contour of road
- Trip edge design
- 304 Stainless Steel moldboard
- Deflector and shoes standard
- A-Frame and moldboard ordered separately
- Grease fittings/holes at pivot points



Standard plow shoes



1/2" x 12" Angle cylinders provide greater angling force than standard cylinders



Trip edge design provides smoother plowing over obstacles

Trip edge design for smooth plowing over obstacles

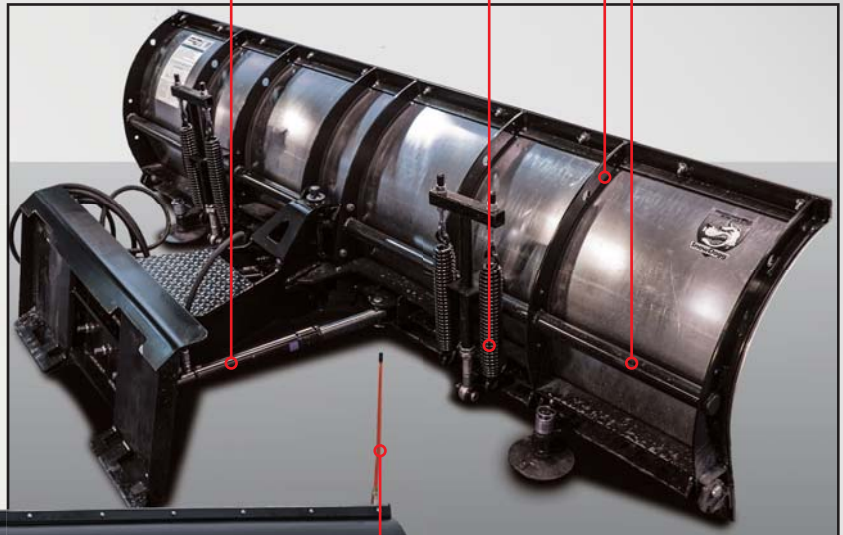
Snow deflector standard

Tough, stainless steel corrosion free moldboard

70° Attack angle provides excellent scraping, rolling and throwing action

1-1/2" x 12" Angle cylinders delivers greater angling force than standard cylinders

1/4" Laser cut steel ribs with 2" cross tube & HD channel, spreads loads across components not connection points



Wire reinforced blade guides standard

1/2" Cutting edge translates to less time in the shop and more time on the road



MD Series Plows

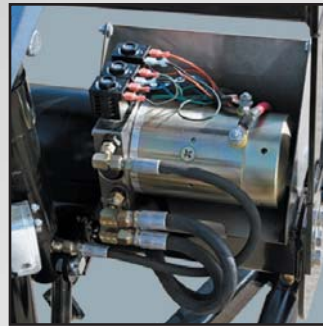
Typical Application:
1/2-Ton, 3/4-Ton, light-duty trucks & SUV's

STANDARD FEATURES

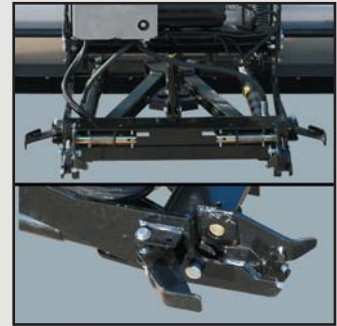
- Medium-Duty plow
- Half the weight of the EX Series plows
- Most trucks with no OEM plow prep package, lighter duty trucks and SUV's can handle the MD Series plows

Ideal for:

Small business owners and light-duty commercial users



Power unit / hydraulics; full size SAE std. cartridge valves, oversized 3/8" rubber hoses, integral valve manifold



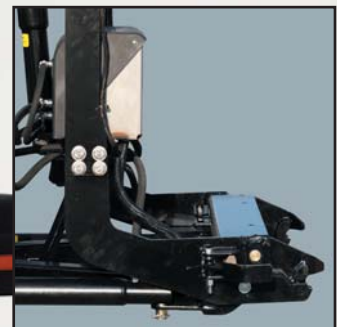
Easy to use over center linkage operated locking pins with foot pedals, allows for quick mounting & dismounting of plow



1-1/2" x 10" Angle cylinders

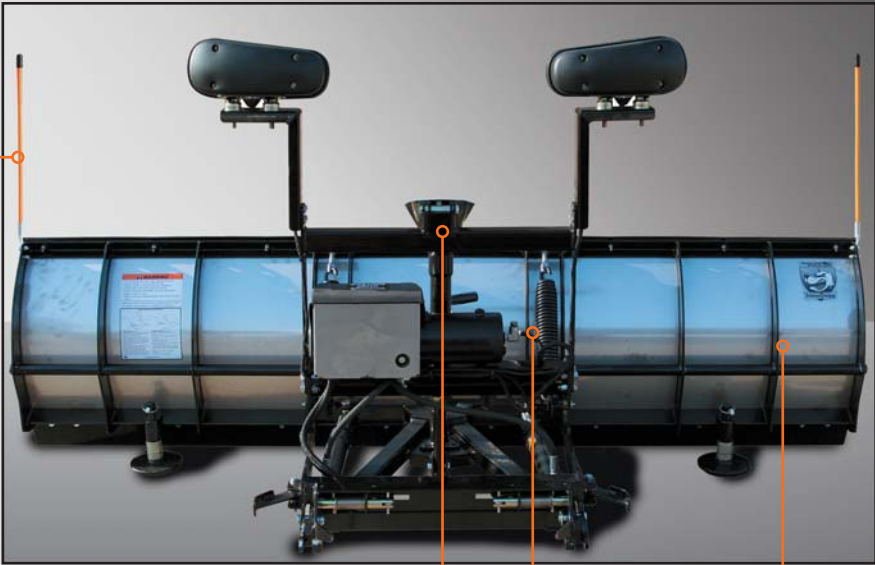


Adjustable / Removable jack stand allows for maximum flexibility for a wide range of mounting conditions and surfaces



Contoured lift frame for greater ground clearance





Wire reinforced blade guides standard

35° Travel lift arm provides exceptional snow stacking

Two stress optimized trip springs provide up to 85° of smooth moldboard tripping action

70° Attack angle provides excellent scraping, rolling and throwing action

Tough, 304 stainless steel corrosion free moldboard

Powerful, dual-beam, halogen plow lights with secure double post mounts

3/16" Laser cut steel ribs with 1-5/16" cross tube spreads loads across components not connection points

3/8" Cutting edge means 50% longer life than a 1/4" cutting edge and no chatter

Snow deflector standard

Digital controller provides comfortable one hand operation with oversized glove-friendly buttons



VMD Series Plows

Typical Application:

1/2-Ton plow prep & 3/4-Ton plow prep trucks

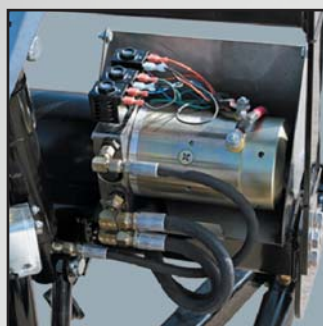
(see snow plow application guide at www.snowdoggplows.com)

STANDARD FEATURES

- Power of the VXF Series in a lighter package
- Flared wings for moving and throwing snow

Ideal for:

Small business owners and light-duty commercial users



Power unit / hydraulics; full size SAE std. cartridge valves, oversized 3/8" rubber hoses, integral valve manifold



Easy to use over center linkage operated locking pins with foot pedals, allows for quick mounting & dismounting of plow



1-1/2" x 12" Double acting angle cylinders allow for real back dragging, standard



Adjustable / Removable jack stand allows for maximum flexibility for a wide range of mounting conditions and surfaces

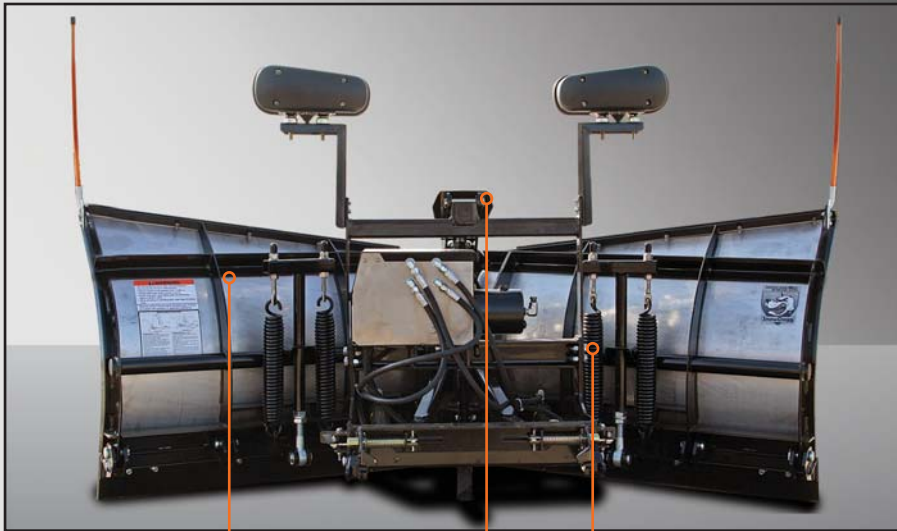


Contoured lift frame for greater ground clearance





Optional plow shoe kit
(P/N: 16021750)



1/4" Laser cut steel ribs with 2" cross tube & HD channel spreads loads across components not connection points

35° Travel lift arm provides exceptional snow stacking

Trip edge design for smooth plowing over obstacles

Tough, 304 stainless steel corrosion free moldboard

70° Attack angle provides excellent scraping, rolling and throwing action

Greaseable hinge pin

Powerful, dual-beam halogen, plow lights with secure double post mounts

3/8" Cutting edge means less time in the shop and more time on the road

Digital controller provides comfortable one hand operation with oversized glove-friendly buttons

Snow deflector standard

Wire reinforced blade guides, standard



HD/EX Series Plows

Typical Application:
3/4-Ton, 1-Ton & super-duty trucks

STANDARD FEATURES

- Simple, reliable operation
- Every feature has been optimized
- SnowDogg® HD/EX plow wings are the perfect accessory to add a full 24" to your plowing width (see below for more details)

Ideal for:

Commercial users who prefer a full trip plow

NEW Central hydraulic lift frame available



Power unit / hydraulics; full size SAE std. cartridge valves, oversized 3/8" rubber hoses, integral valve manifold



Easy to use over center linkage operated locking pins with foot pedals, allows for quick mounting & dismantling of plow

OPTIONS

12" Plow Wings



- Stowable – no lifting required. With the pull of a pin the wings can be rotated behind the plow for transport between job sites.

- Protected against overloads – the same pin used for stowing also acts as a shear pin to prevent expensive damage to the wing and your plow.
- Torsion locks – prevent the wing from twisting when plowing but still allow for easy stowage.

Shock Kit *EX Series Only*



- Cushions the trip action and return
- Helps prevent excessive tripping
- Protects plow components
- Requires no drilling for installation

Part No. | HD Series - 16021510, EX Series - 16021610

Part No. | 16101500 *(works with EX Series Only)*



Shown with optional plow wings



Adjustable/removable jack stand provides maximum flexibility for a wide range of mounting conditions & surfaces



Contoured lift frame allows for greater ground clearance



Lift arm w/heavy-duty 2" x 6" lift cylinder and 35° travel provides exceptional snow stacking

1/4" Laser cut steel ribs w/2" cross tube and HD channel, spreads loads across components, not connection points

1-1/2" x 12" Angle cylinders delivers greater angling force than standard cylinders

4 - Stress optimized trip springs provide up to 85° of smooth moldboard tripping action

Snow deflector, standard

Wire reinforced blade guides, standard

Optional plow wings will add a full 24" to your plowing width

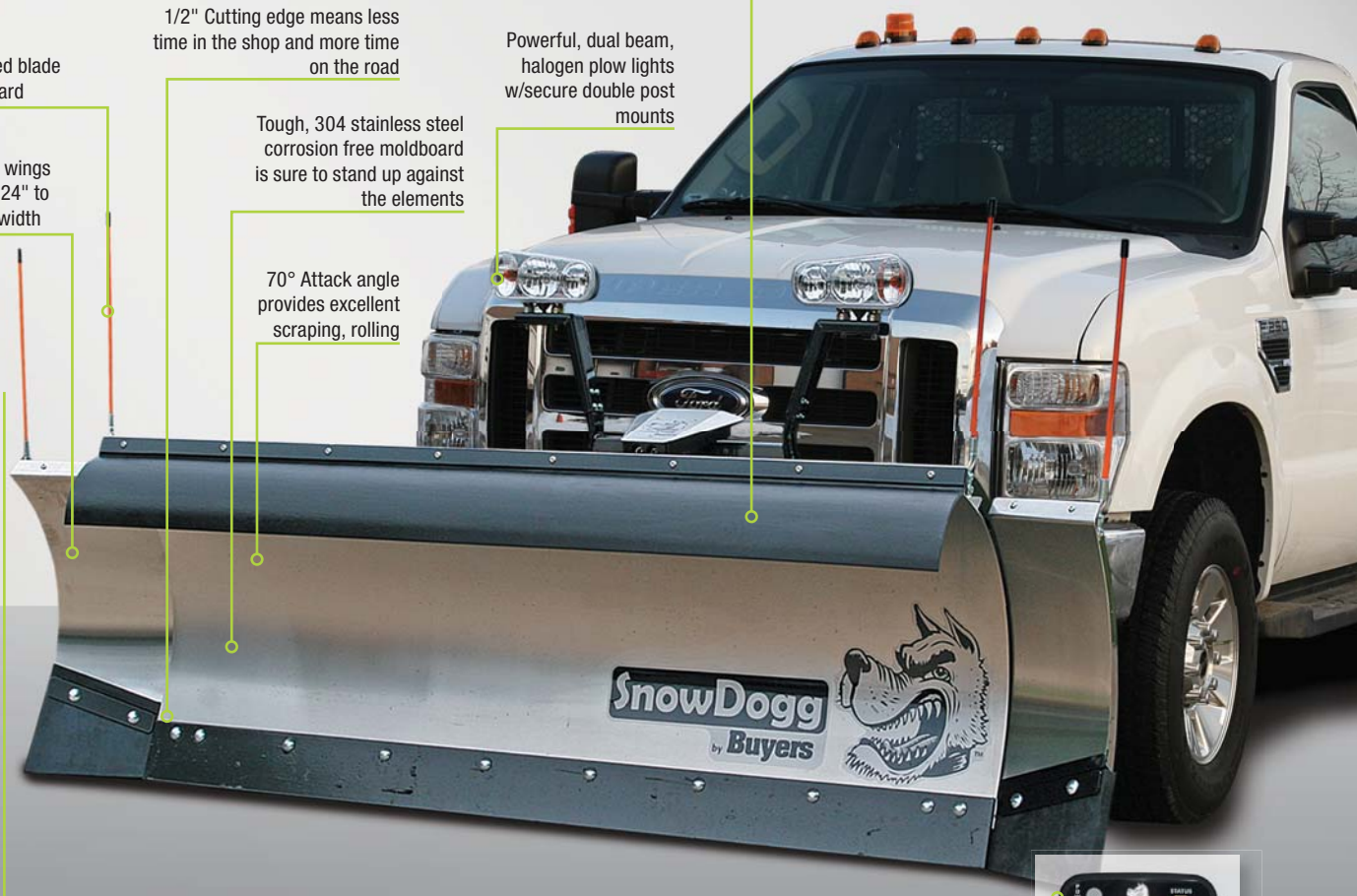
1/2" Cutting edge means less time in the shop and more time on the road

Tough, 304 stainless steel corrosion free moldboard is sure to stand up against the elements

70° Attack angle provides excellent scraping, rolling

Powerful, dual beam, halogen plow lights w/secure double post mounts

Digital controller provides comfortable one hand operation with oversized glove-friendly buttons



TE Series Plows

Typical Application:

3/4-Ton, 1-Ton & super-duty trucks

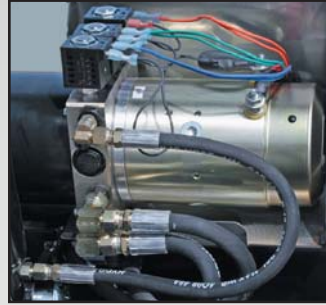
STANDARD FEATURES

- Best of the HD/EX Series with a reliable trip edge design
- Deflectors, shoes and a heavy-duty cutting edge are all included as standard items
- Trip edge mechanism keeps the snow in front of your plow
- Smooth tripping action

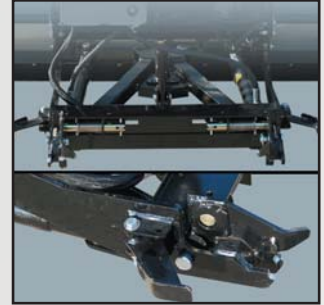
Ideal for:

Commercial users who prefer the operation of a trip edge plow

NEW Central hydraulic lift frame available



Power unit / hydraulics full size SAE std. cartridge valves, oversized 3/8" rubber hoses, integral valve manifold



Easy to use over center linkage operated locking pins with foot pedals, allows for quick mounting & dismounting of plow



Lift arm w/heavy-duty 2" x 6" lift cylinder and 35° travel provides exceptional snow stacking



Adjustable/removable jack stand provides max. flexibility for a wide range of mounting conditions & surfaces



Trip edge design for smooth plowing over obstacles





Standard plow shoes



Contoured lift frame allows for greater ground clearance

Trip edge design allows for smooth plowing over obstacles

1-1/2" x 12" Angle cylinders delivers greater angling force than standard cylinders

1/4" Laser cut steel ribs w/2" cross tube and HD channel, spreads loads across components, not connection points

Wire reinforced blade guides, standard

70° Attack angle provides excellent scraping, rolling and throwing action

Tough, 304 stainless steel corrosion free moldboard is sure to stand up against the elements



Powerful, dual beam, halogen plow lights w/secure double post mounts

1/2" Cutting edge means less time in the shop & more time on the road (3/8" cutting edge on TE75)

Snow deflector, standard

Digital controller provides comfortable one hand operation with oversized glove-friendly buttons



VXF Series Plows

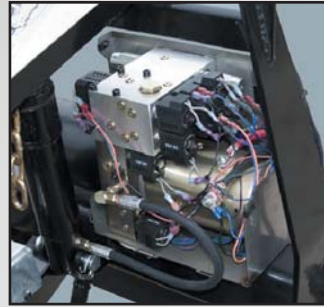
Typical Application:
3/4-Ton and larger trucks

STANDARD FEATURES

- The reliability of the EX Series in a V-Plow
- Regenerative hydraulics for quicker operation
- Standard double acting cylinders for locked back dragging operation
- Trip edge mechanism allows for smooth operation

Ideal for:

Commercial users who want the power and flexibility of a V-Plow with flared wings for moving and throwing snow



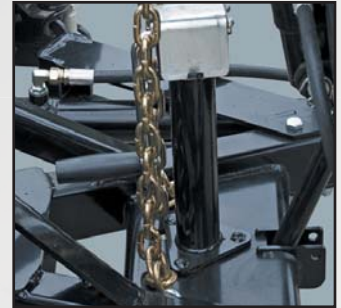
Power unit / hydraulics; full size SAE std. cartridge valves, oversized 3/8" rubber hoses, integral valve manifold



Easy to use over center linkage operated locking pins with foot pedals, allows for quick mounting & dismounting of plow



Lift arm w/heavy-duty 2" x 6" lift cylinder and 35° travel provides exceptional snow stacking



Adjustable/removable jack stand provides maximum flexibility for a wide range of mounting conditions & surfaces



Contoured lift frame provides greater ground clearance



Double angle cylinders allow for REAL back dragging, standard





Optional plow shoe kit
(P/N: 16021750)



Tough, 304 stainless steel corrosion free moldboard is sure to stand up against the elements

Trip edge design allows for smooth plowing over obstacles

1/4" Laser cut steel ribs w/2" cross tube and HD channel, spreads loads across components, not connection points

70° Attack angle provides excellent scraping, rolling and throwing action

Powerful, dual beam, halogen plow lights w/secure double post mounts

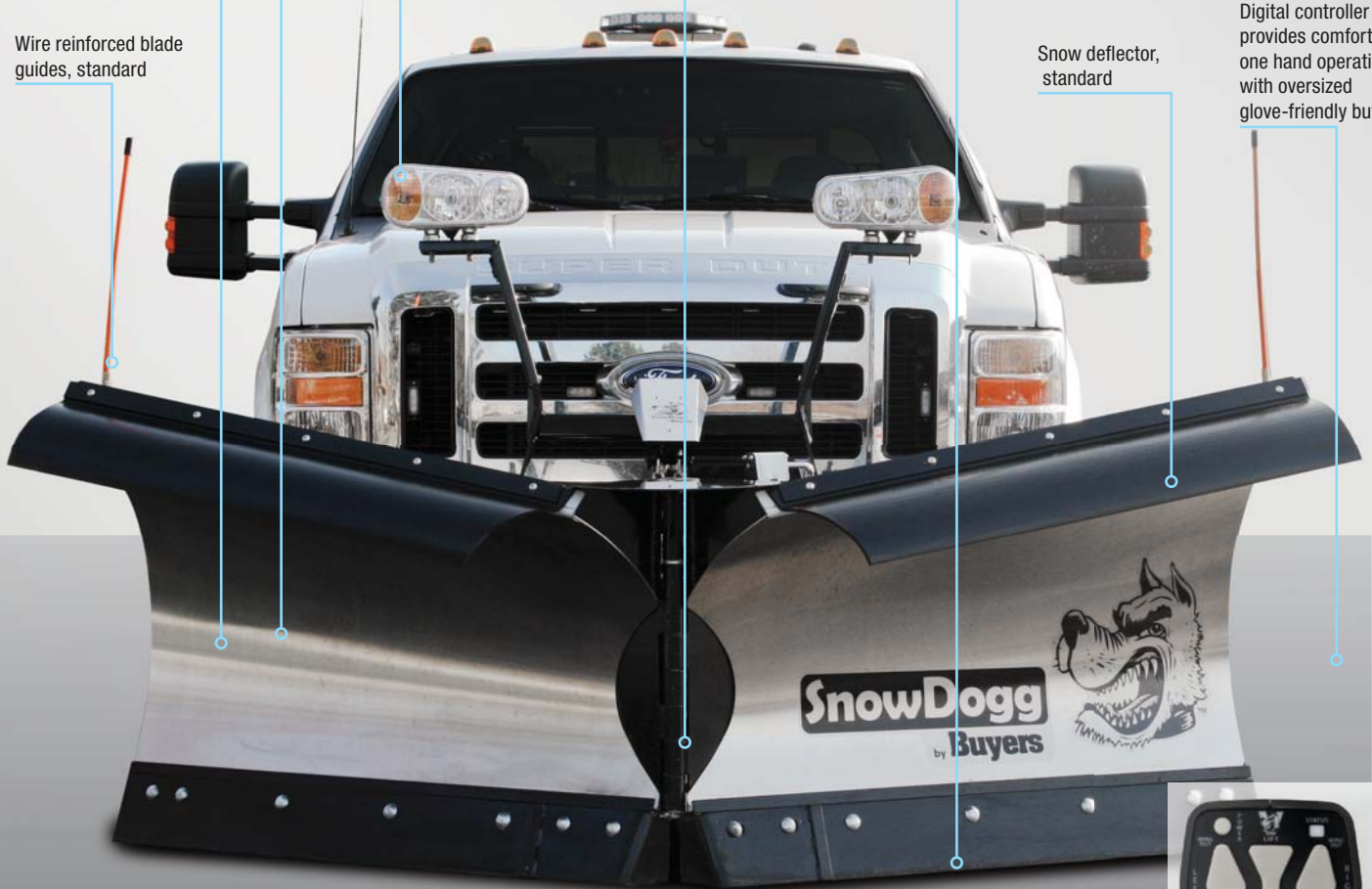
Greaseable hinge pin

1/2" Cutting edge means less time in the shop & more time on the road

Wire reinforced blade guides, standard

Snow deflector, standard

Digital controller provides comfortable one hand operation with oversized glove-friendly buttons



XP Series Plows

Typical Application:
3/4-Ton and larger trucks

STANDARD FEATURES

- Hydraulically expanding wings add a full 24" to your plowing width
- Wings are adjustable on the fly

Ideal for:

Commercial users with varying job sizes, both big and small



Power unit / hydraulics full size SAE std. cartridge valves, oversized 3/8" rubber hoses, integral valve manifold



Easy to use over center linkage operated locking pins with foot pedals, allows for quick mounting & dismounting of plow

OPTIONS

Shock Kit



- Cushions the trip action and return
- Helps prevent excessive tripping
- Protects plow components
- Requires no drilling for installation

Part No. | 16101550



Lift arm w/heavy-duty 2" x 6" lift cylinder and 35° travel provides exceptional snow stacking



Adjustable/removable jack stand provides maximum flexibility for a wide range of mounting conditions & surfaces



Contoured lift frame provides greater ground clearance





Standard plow shoes



1-1/2" x 12" Angle cylinders deliver greater angling force than standard cylinders

1/4" Laser cut steel ribs w/2" cross tube and HD channel, spreads loads across components, not connection points

4 Stress optimized trip springs provide up to 85° of smooth moldboard tripping action

1/2" Cutting edge means less time in the shop & more time on the road

Tough, 304 stainless steel corrosion free moldboard is sure to stand up against the elements

70° Attack angle provides excellent scraping, rolling and throwing action

Forward 20° scoop provides excellent pushing and windowing

Powerful, dual beam, halogen plow lights w/secure double post mounts

Wire reinforced blade guides, standard

Hydraulically expanding plow wings add a full 24" to your plowing width

Digital controller provides comfortable one hand operation with oversized glove-friendly buttons



SnowDogg
by Buyers



CM Series Plows

Typical Application:
10,000 - 29,000 GVWR

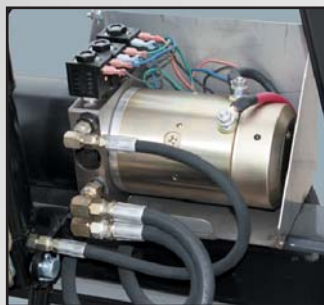
STANDARD FEATURES

- Heavy-Duty plow in a commercial duty package
- 6 Trip springs
- Tough quadrant/sector configuration

Ideal for:

Commercial users and municipal applications

NEW Central hydraulic lift frame available



Power unit / hydraulics full size SAE std. cartridge valves, oversized 3/8" rubber hoses, integral valve manifold



Easy to use over center linkage operated locking pins with foot pedals, allows for quick mounting & dismounting of plow

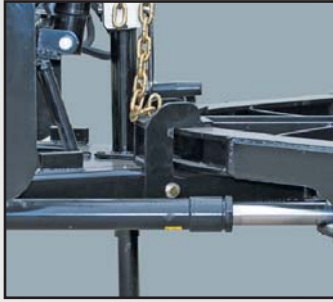


Lift arm w/heavy-duty 2" x 6" lift cylinder and 35° travel provides exceptional snow stacking

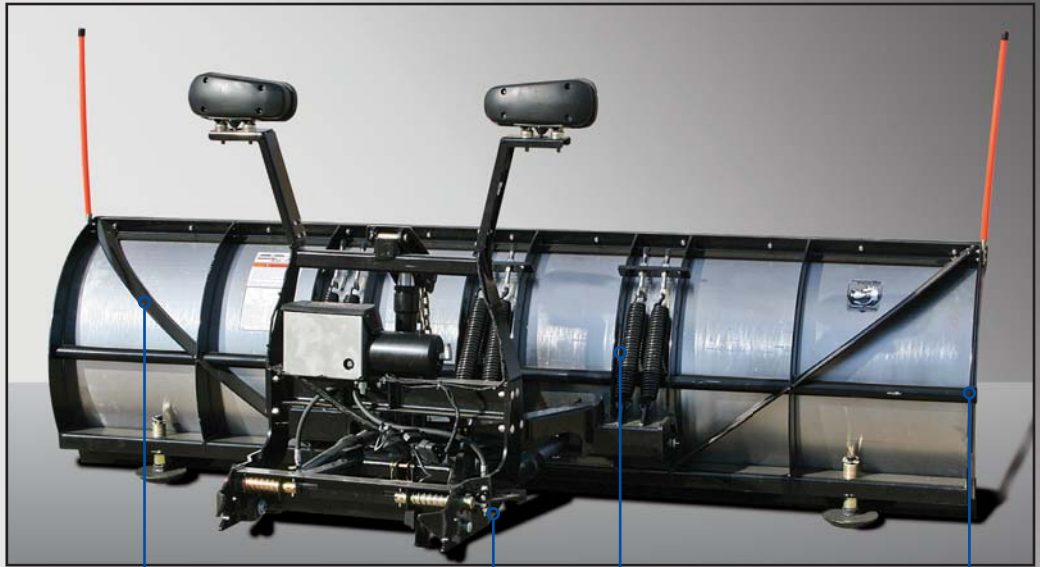


Adjustable/removable jack stand provides maximum flexibility for a wide range of mounting conditions & surfaces





2" x 12" Angle cylinders deliver greater angling force than standard cylinders



2 Diagonal ribs for torsional stiffness

Contoured lift frame for greater ground clearance

6 Stress optimized trip springs provide up to 85° of smooth moldboard tripping action

5/8" Cutting edge means less time in the shop & more time on the road

Tough, 304 stainless steel corrosion free moldboard is sure to stand up against the elements

70° Attack angle provides excellent scraping, rolling and throwing action

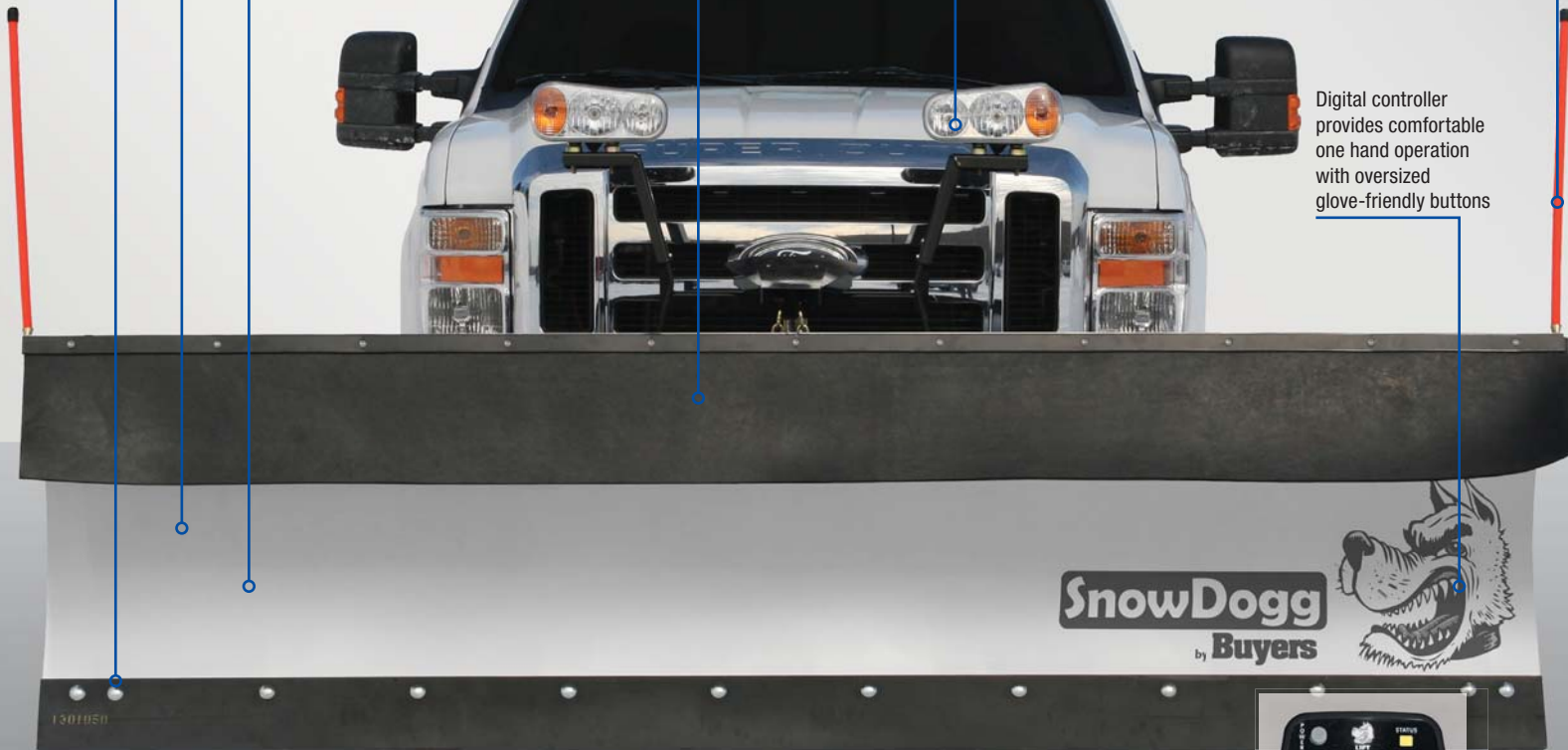
Heavy duty, belted snow deflector, standard

Powerful, dual beam, halogen plow lights w/secure double post mounts

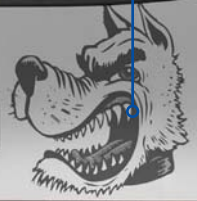
1/4" Laser cut steel ribs w/2" cross tube and HD channel, spreads loads across components, not connection points

Fluorescent blade guides, standard

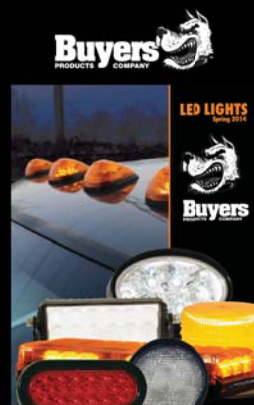
Digital controller provides comfortable one hand operation with oversized glove-friendly buttons



SnowDogg
by Buyers



DESIGN BUILD DISTRIBUTE SUPPORT



Buyers Products Company 9049 Tyler Blvd. Mentor, OH 44060
440.974.8888 Toll-Free Fax 800.841.8003 www.buyersproducts.com